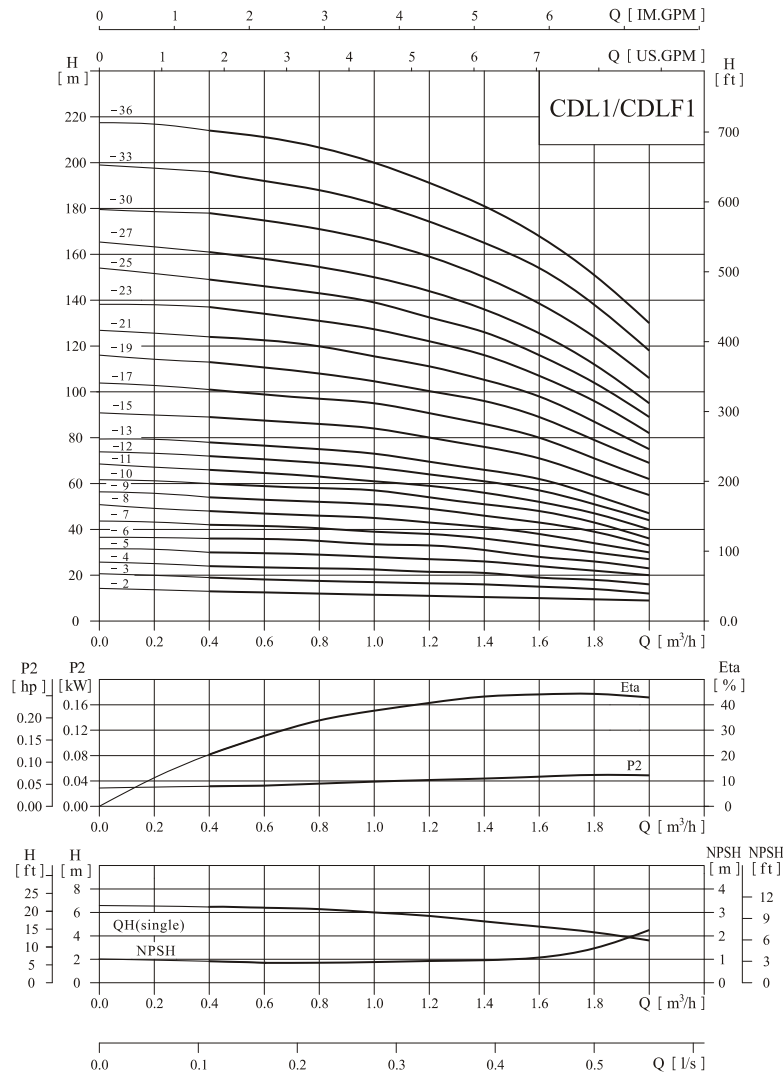


● Performance curve

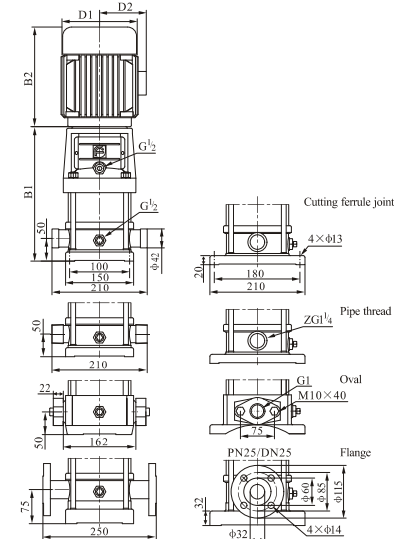
ISO9906 Annex A 2900rpm



● Performance table

Model	Driving motor		Q (m ³ /h)	0.4	0.6	0.8	1.0	1.2	1.4	1.6	1.8	2.0
	(kW)	(hp)										
CDL1-2	0.37	0.5	13	12.5	12	11.5	11	10.5	10	9.5	9	
CDL1-3	0.37	0.5	19	18	17.5	17	16.5	16	15	14	12	
CDL1-4	0.37	0.5	24	23.5	23	22.5	21.5	21	19	18	16	
CDL1-5	0.37	0.5	30	29.6	29	28	27	26	24	22	20	
CDL1-6	0.37	0.5	36	35.5	35	33.5	33	31	28	26	23	
CDL1-7	0.37	0.5	42	41	40.5	39	38	36	33	30	27	
CDL1-8	0.55	0.75	48	47	46	45	43	41	38	34	30	
CDL1-9	0.55	0.75	54	53	52	51	49	46	43	39	33	
CDL1-10	0.55	0.75	60	59	58	57	54	51	48	43	36	
CDL1-11	0.55	0.75	66	65	63	61	59	56	52	47	40	
CDL1-12	0.75	1	72	71	69	67	64	61	57	51	44	
CDL1-13	0.75	1	78	77	75	73	69	66	62	55	47	
CDL1-15	0.75	1	89	88	86	84	79	76	71	63	55	
CDL1-17	1.1	1.5	101	99	97	95	89	86	80	71	62	
CDL1-19	1.1	1.5	113	110	108	106	99	96	89	79	69	
CDL1-21	1.1	1.5	124	122	120	117	110	106	98	87	75	
CDL1-23	1.1	1.5	137	133	131	128	121	116	107	96	82	
CDL1-25	1.5	2	149	145	143	139	131	126	116	104	89	
CDL1-27	1.5	2	161	157	155	150	141	136	125	112	95	
CDL1-30	1.5	2	178	175	171	166	157	150	139	124	106	
CDL1-33	2.2	3	196	192	188	183	173	165	154	137	118	
CDL1-36	2.2	3	214	210	205	200	190	181	169	151	130	

● Installation sketch



● Size and weight

Model	Size (mm)					Weight (kg)
	B1	B2	B1+B2	D1	D2	
CDL1-2	258	210	468	148	117	20
CDL1-3	276	210	486	148	117	20
CDL1-4	294	210	504	148	117	21
CDL1-5	312	210	522	148	117	21
CDL1-6	330	210	540	148	117	22
CDL1-7	348	210	558	148	117	23
CDL1-8	366	210	576	148	117	24
CDL1-9	384	210	594	148	117	25
CDL1-10	402	210	612	148	117	26
CDL1-11	420	210	630	148	117	26
CDL1-12	448	245	693	170	142	29
CDL1-13	466	245	711	170	142	30
CDL1-15	502	245	747	170	142	31
CDL1-17	538	245	783	170	142	33
CDL1-19	574	245	819	170	142	34
CDL1-21	610	245	855	170	142	35
CDL1-23	646	245	891	170	142	36
CDL1-25	692	290	982	190	155	42
CDL1-27	728	290	1018	190	155	43
CDL1-30	782	290	1072	190	155	45
CDL1-33	836	290	1126	190	155	49
CDL1-36	890	290	1180	190	155	51

CDL1-25 ~ 1-36 sub-connection of pipeline has no oval flange connection. The overall dimensions of the single-phase motor and explosion-proof motor are a little different. Pls contact us for details.