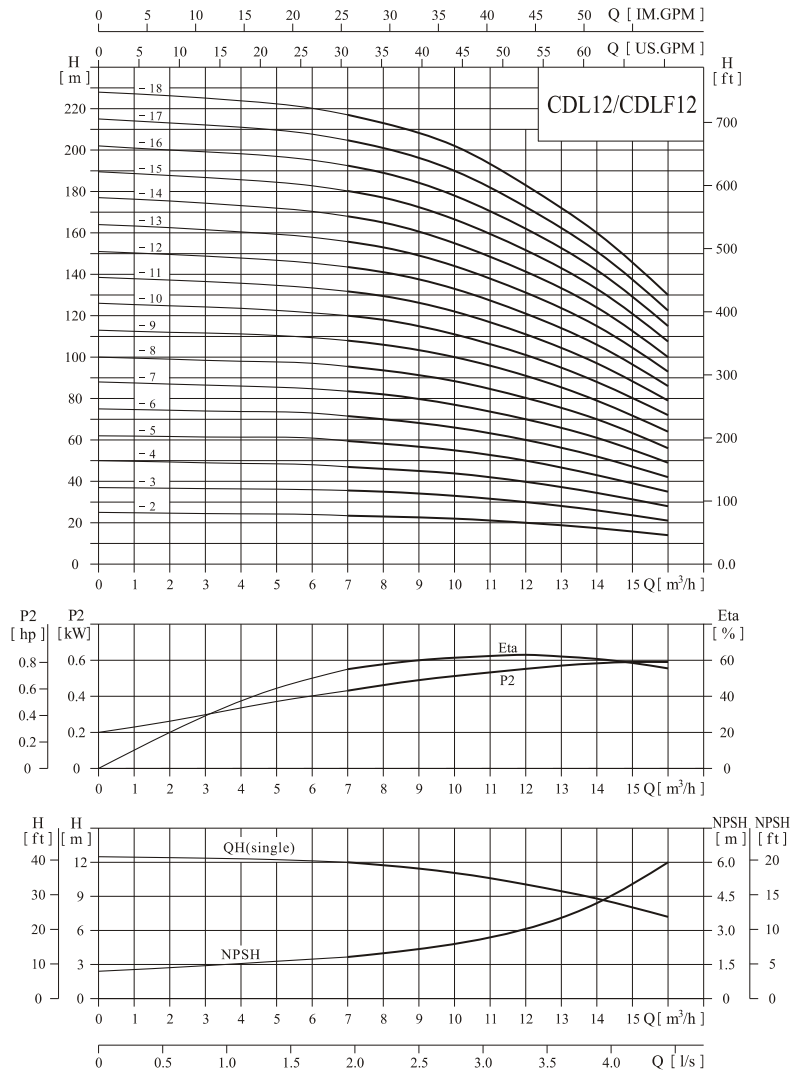


## Performance curve

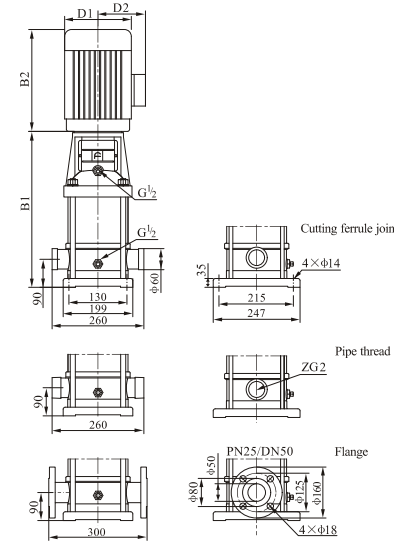
ISO9906 Annex A 2900rpm



## Performance table

Model	Driving motor		Q (m³/h)	H (m)											
	(kW)	(hp)		7	8	9	10	11	12	13	14	15	16		
CDL12-2	1.5	2	23.5	23	22.5	22	21	20	18.5	17	15.5	14			
CDL12-3	2.2	3	35.5	35	34	33	31.5	30	28	26	23.5	21			
CDL12-4	3	4	47	46	45	44	42	40	37	34	31	28			
CDL12-5	3	4	59.5	58	56.5	55	52.5	50	46.5	43	39	35			
CDL12-6	4	5.5	71.5	70	68	66	63	60	56	52	47	42			
CDL12-7	5.5	7.5	83.5	82	79.5	77	73.5	70	65.5	61	55	49			
CDL12-8	5.5	7.5	95.5	94	91	88	84	80	75	70	63	56			
CDL12-9	5.5	7.5	108	106	103	100	95.5	91	85	79	71.5	64			
CDL12-10	7.5	10	120	118	114.5	111	106	101	94.5	88	80	72			
CDL12-12	7.5	10	143.5	141	137	133	127	121	113.5	106	96	86			
CDL12-14	11	15	168	165	160	155	148	141	132.5	124	112	100			
CDL12-16	11	15	192.5	189	183.5	178	170	162	152	142	128.5	115			
CDL12-18	11	15	217	213	207.5	202	192.5	183	171.5	160	145	130			

## Installation sketch



## Size and weight

Model	Size (mm)					Weight (kg)
	B1	B2	B1+B2	D1	D2	
CDL12-2	367	290	657	190	155	39
CDL12-3	397	290	687	190	155	43
CDL12-4	437	315	752	197	165	51
CDL12-5	467	315	782	197	165	53
CDL12-6	497	335	832	230	188	61
CDL12-7	547	430	977	260	208	73
CDL12-8	577	430	1007	260	208	74
CDL12-9	607	430	1037	260	208	76
CDL12-10	637	430	1067	260	208	83
CDL12-12	697	430	1127	260	208	87
CDL12-14	845	490	1335	330	255	157
CDL12-16	905	490	1395	330	255	161
CDL12-18	965	490	1455	330	255	164

The overall dimensions of the single-phase motor and explosion-proof motor are a little different. Pls contact us for details.