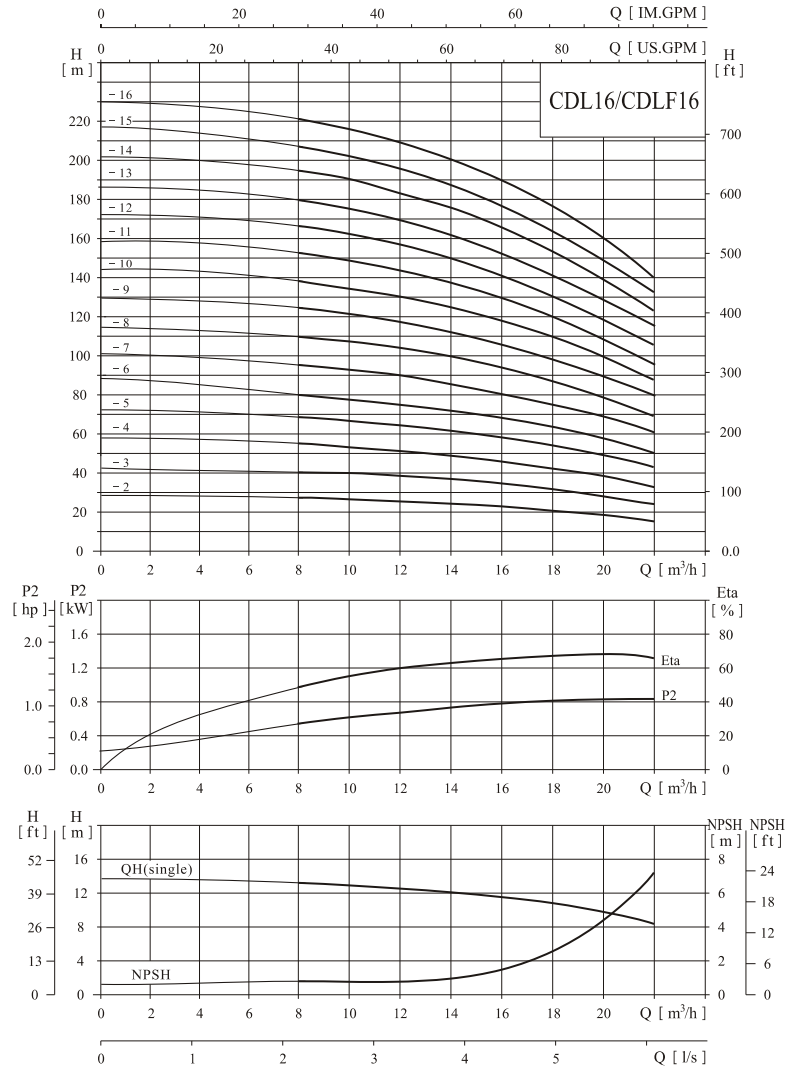


## ● Performance curve

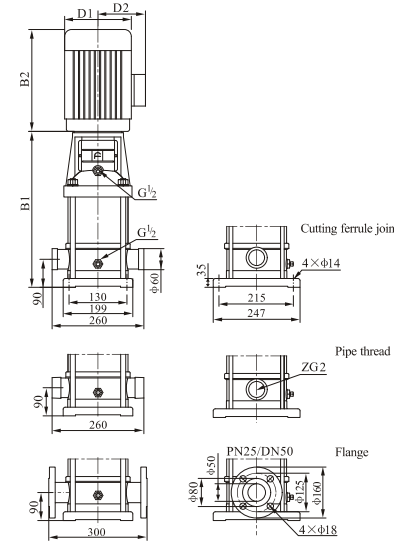
ISO9906 Annex A 2900rpm



## ● Performance table

Model	Driving motor		Q (m³/h)	8	10	12	14	16	18	20	22
	(kW)	(hp)									
CDL16-2	2.2	3	H (m)	27	26	25	24	22	21	19	16
CDL16-3	3.0	4		41	40	38	37	34	32	29	25
CDL16-4	4.0	5.5		54	53	52	49	46	43	38	34
CDL16-5	5.5	7.5		68	67	65	62	58	54	48	43
CDL16-6	5.5	7.5		82	80	78	74	70	64	58	52
CDL16-7	7.5	10		96	95	91	87	82	76	68	61
CDL16-8	7.5	10		110	108	104	99	94	86	77	70
CDL16-10	11	15		138	136	131	125	118	109	97	87
CDL16-12	11	15		166	162	157	150	141	130	116	105
CDL16-14	15	20		194	190	184	175	166	152	136	122
CDL16-16	15	20		222	217	210	200	189	174	156	140

## ● Installation sketch



## ● Size and weight

Model	Size (mm)					Weight (kg)
	B1	B2	B1+B2	D1	D2	
CDL16-2	397	290	687	190	155	42
CDL16-3	452	315	767	197	165	50
CDL16-4	497	335	832	230	188	59
CDL16-5	562	430	992	260	208	76
CDL16-6	607	430	1037	260	208	77
CDL16-7	652	430	1082	260	208	84
CDL16-8	697	430	1127	260	208	86
CDL16-10	875	490	1365	330	255	158
CDL16-12	965	490	1455	330	255	161
CDL16-14	1055	490	1545	330	255	174
CDL16-16	1145	490	1635	330	255	178

The overall dimensions of the single-phase motor and explosion-proof motor are a little different. Pls contact us for details.