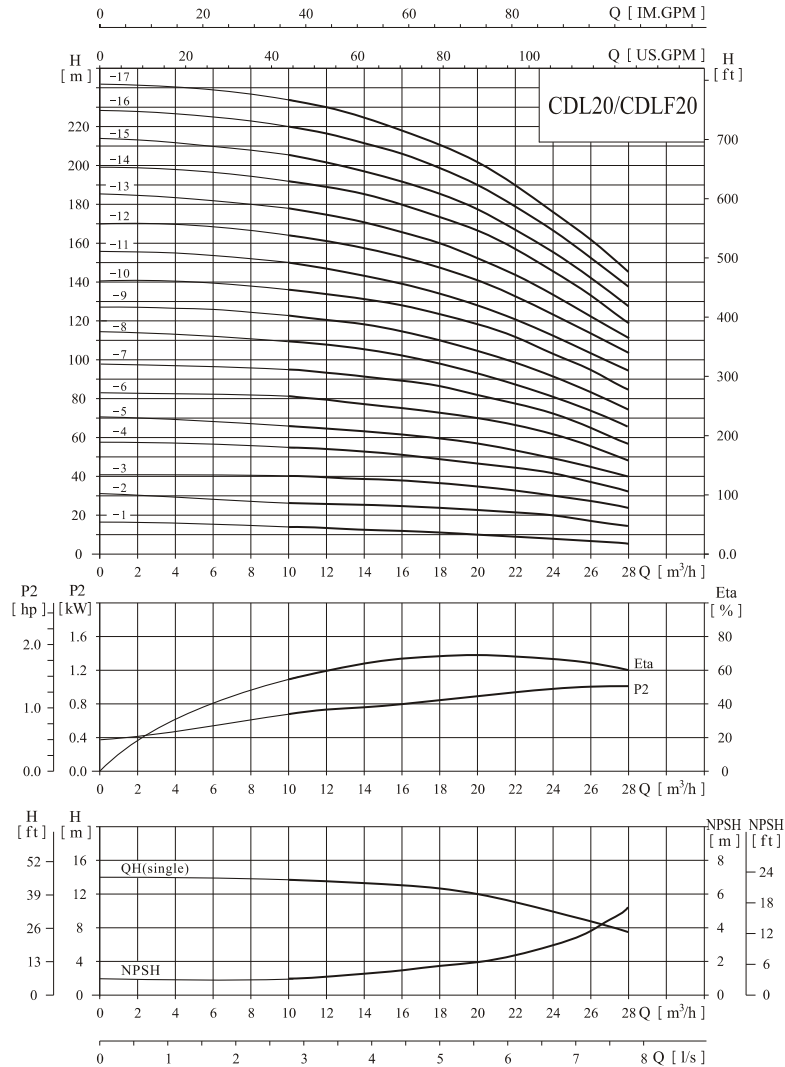


Performance curve

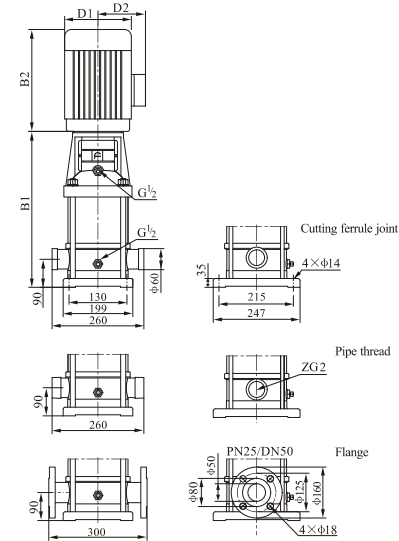
ISO9906 Annex A 2900rpm



Performance table

Model	Driving motor		Q (m³/h)	H (m)													
	(kW)	(hp)		10	12	14	16	18	20	22	24	26	28				
CDL20-1	1.1	1.5	10	13.5	13	12.5	12	11	10	9	8	7	6				
CDL20-2	2.2	3	12	27	26.5	26	25	24	23	22	20	18	15				
CDL20-3	4.0	5.5	14	40	39.5	39	38	37	35	33	30	27	24				
CDL20-4	5.5	7.5	16	54	53	52	51	49	47	44	41	37	33				
CDL20-5	5.5	7.5	18	67	66	64	62	60	58	55	50	45	40				
CDL20-6	7.5	10	20	81	79	77	75	73	70	66	61	55	49				
CDL20-7	7.5	10	22	95	93	91	89	86	82	77	71	65	58				
CDL20-8	11	15	24	109	107	105	102	99	94	89	82	75	67				
CDL20-10	11	15	26	136	134	131	128	124	118	111	103	95	85				
CDL20-12	15	20	28	164	162	158	154	149	142	133	124	114	102				
CDL20-14	15	20	30	192	189	185	180	174	166	156	145	133	119				
CDL20-17	18.5	25	32	234	230	225	219	212	202	190	177	162	145				

Installation sketch



Size and weight

Model	Size (mm)					Weight (kg)
	B1	B2	B1+B2	D1	D2	
CDL20-1	387	245	632	170	142	33
CDL20-2	397	290	687	190	155	42
CDL20-3	452	335	787	230	188	58
CDL20-4	517	430	947	260	208	74
CDL20-5	562	430	992	260	208	76
CDL20-6	607	430	1037	260	208	82
CDL20-7	652	430	1082	260	208	84
CDL20-8	785	490	1275	330	255	153
CDL20-10	875	490	1365	330	255	157
CDL20-12	965	490	1455	330	255	170
CDL20-14	1055	490	1545	330	255	172
CDL20-17	1190	550	1740	330	255	195

The overall dimensions of the single-phase motor and explosion-proof motor are a little different. Pls contact us for details.