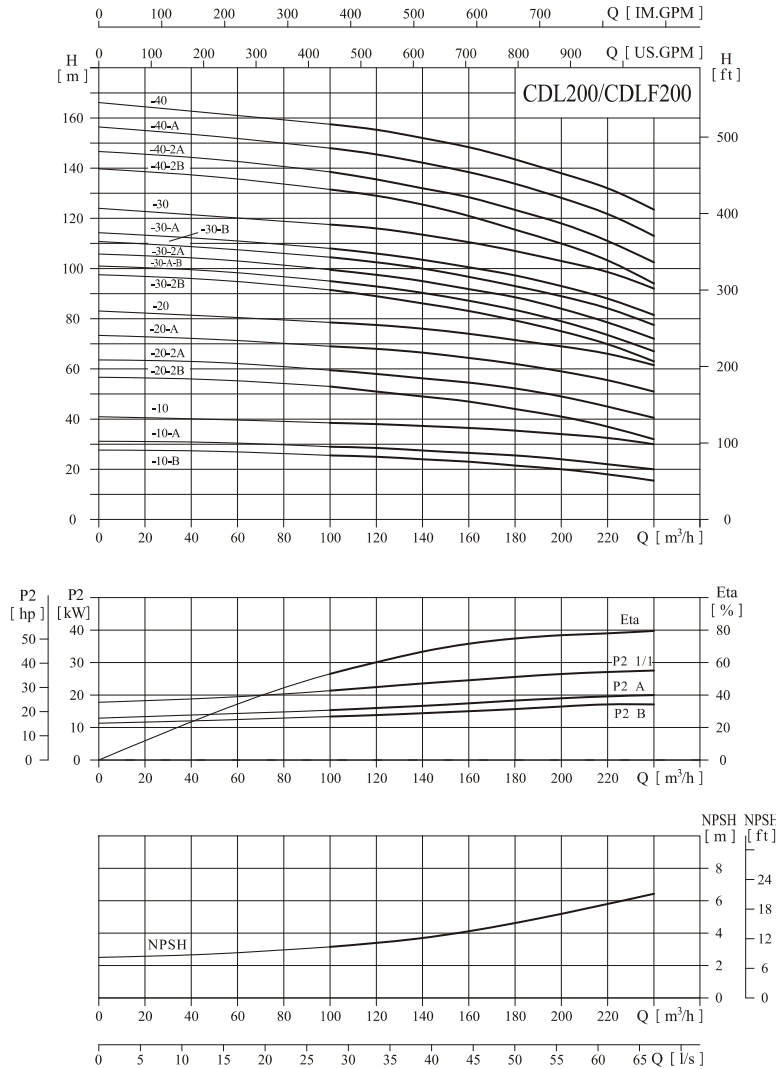


### ● Performance curve

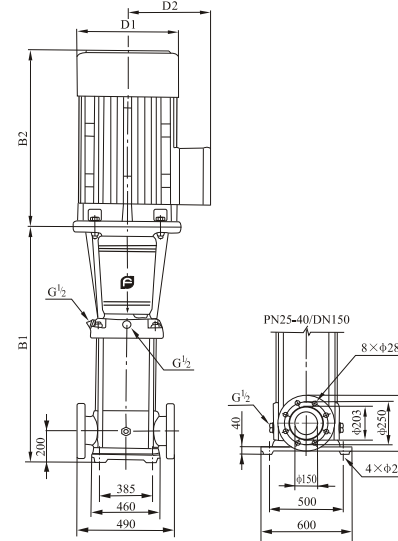
ISO9906 Annex A 2950rpm



### ● Performance table

Model	Driving motor		Q (m³/h)	100	120	140	160	180	200	220	240
	(kW)	(hp)									
CDL200-10-B	18.5	25	25.5	25	24	23	21.5	20	18	15.5	
CDL200-10-A	22	30	29	28.5	27.5	26.5	25.5	24	22	20	
CDL200-10	30	40	38.5	38	37.5	36.5	35	34	32.5	30	
CDL200-20-2B	37	50	53	51	49	47	44	41	37	32	
CDL200-20-2A	45	60	59.5	58	56	54	52.5	49	44.5	40.5	
CDL200-20-A	55	75	69	68	66	64	62	59	55.5	51	
CDL200-20	55	75	78.5	77.5	76	74	71.5	69	66	61.5	
CDL200-30-2B	75	100	91.5	89	86.5	83.5	79	75	70	63	
CDL200-30-A-B	75	100	95	93	90	87	83.5	79	73.5	67	
CDL200-30-2A	75	100	99.5	97.5	94.5	91.5	89	84	78.5	72	
CDL200-30-B	75	100	104.5	102.5	100	97	93	89	84.5	77.5	
CDL200-30-A	75	100	108	106	103.5	100.5	97.5	93	88	81.5	
CDL200-30	90	120	117.5	116	113.5	110.5	107	103	99	92	
CDL200-40-2B	90	120	131.5	129	125.5	121	115.5	110	103.5	94	
CDL200-40-2A	110	150	138.5	136	132	128	124	118	111	102.5	
CDL200-40-A	110	150	148	145.5	142.5	138	134	128	122	113	
CDL200-40	110	150	157.5	155.5	152.5	148	143.5	138	132.5	123.5	

### ● Installation sketch



### ● Size and weight

Model	Size (mm)					Weight (kg)
	B1	B2	B1+B2	D1	D2	
CDL200-10-B	907	550	1457	330	255	311
CDL200-10-A	907	590	1497	360	285	347
CDL200-10	907	660	1567	400	310	403
CDL200-20-2B	1101	660	1761	400	310	447
CDL200-20-2A	1101	700	1801	460	340	504
CDL200-20-A	1131	770	1901	540	370	595
CDL200-20	1131	770	1901	540	370	595
CDL200-30-2B	1325	845	2170	580	410	748
CDL200-30-A-B	1325	845	2170	580	410	748
CDL200-30-2A	1325	845	2170	580	410	748
CDL200-30-B	1325	845	2170	580	410	748
CDL200-30-A	1325	845	2170	580	410	748
CDL200-30	1325	895	2220	580	410	817
CDL200-40-2B	1519	895	2414	580	410	830
CDL200-40-2A	1519	1140	2659	645	550	1180
CDL200-40-A	1519	1140	2659	645	550	1180
CDL200-40	1519	1140	2659	645	550	1180

The overall dimensions of explosion-proof motor is a little different. Pls contact us for details.