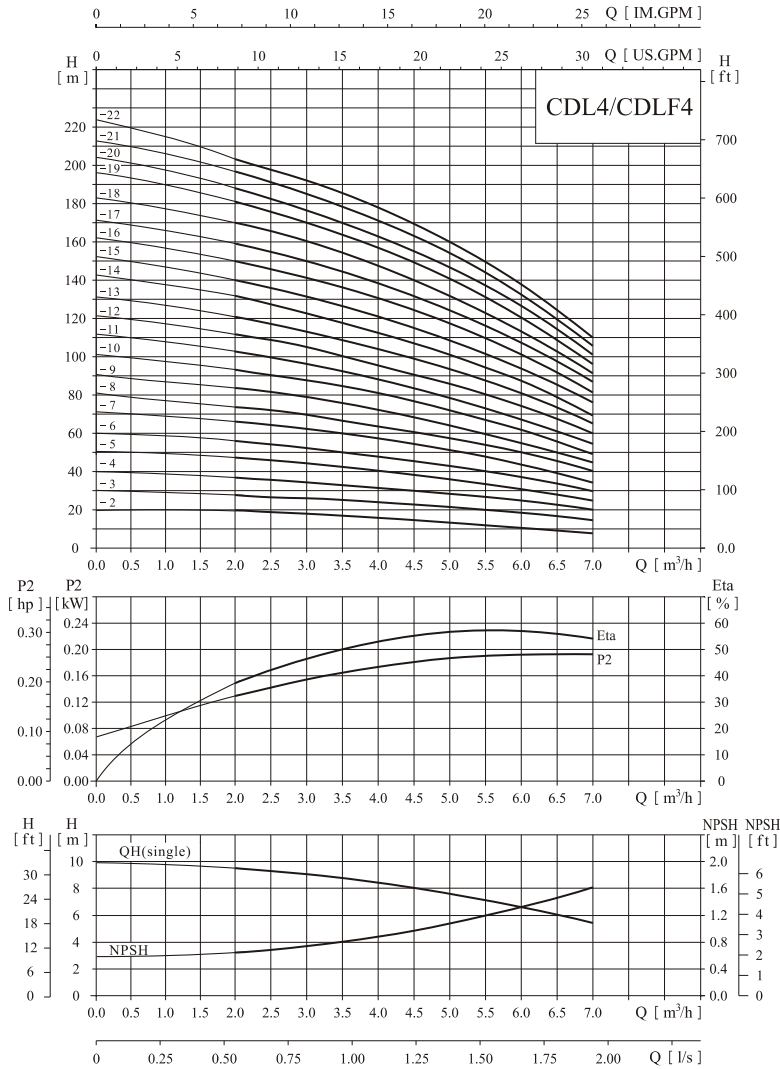


● Performance curve

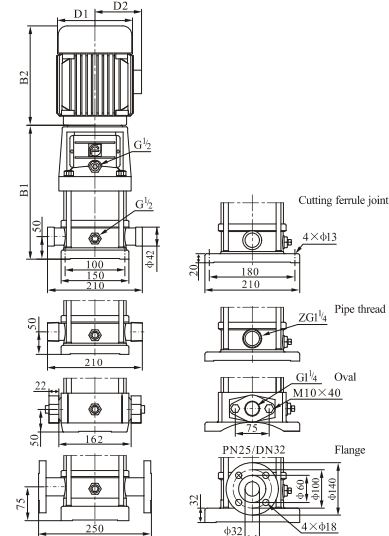
ISO9906 Annex A 2900rpm



● Performance table

Model	Driving motor		Q (m ³ /h)	1.5	2.0	3.0	4.0	5.0	6.0	7.0
	(kW)	(hp)								
CDL4-2	0.37	0.5	19	18	17	15	13	10	8	
CDL4-3	0.55	0.75	28	27	26	24	20	18	13	
CDL4-4	0.75	1	38	36	34	32	27	24	19	
CDL4-5	1.1	1.5	47	45	43	40	34	31	23	
CDL4-6	1.1	1.5	56	54	52	48	41	37	28	
CDL4-7	1.5	2	66	63	61	56	48	43	33	
CDL4-8	1.5	2	74	72	70	64	55	50	38	
CDL4-10	2.2	3	96	90	87	81	71	62	48	
CDL4-12	2.2	3	114	108	104	95	85	75	58	
CDL4-14	3.0	4	136	126	122	112	101	89	68	
CDL4-16	3.0	4	152	144	140	129	115	101	78	
CDL4-19	4.0	5.5	183	171	168	153	137	122	93	
CDL4-22	4.0	5.5	211	200	192	178	160	138	108	

● Installation sketch



● Size and weight

Model	Size (mm)					Weight (kg)
	B1	B2	B1+B2	D1	D2	
CDL4-2	276	210	486	148	117	21
CDL4-3	303	210	513	148	117	22
CDL4-4	340	245	585	170	142	25
CDL4-5	367	245	612	170	142	27
CDL4-6	394	245	639	170	142	27
CDL4-7	431	290	721	190	155	33
CDL4-8	458	290	748	190	155	33
CDL4-10	512	290	802	190	155	37
CDL4-12	566	290	856	190	155	38
CDL4-14	630	315	945	197	165	46
CDL4-16	684	315	999	197	165	48
CDL4-19	765	335	1100	230	188	57
CDL4-22	846	335	1181	230	188	59

CDL4-19 - 4-22 sub-connection of pipeline has no oval flange connection. The overall dimensions of the single-phase motor and explosion-proof motor are a little different. Pls contact us for details.