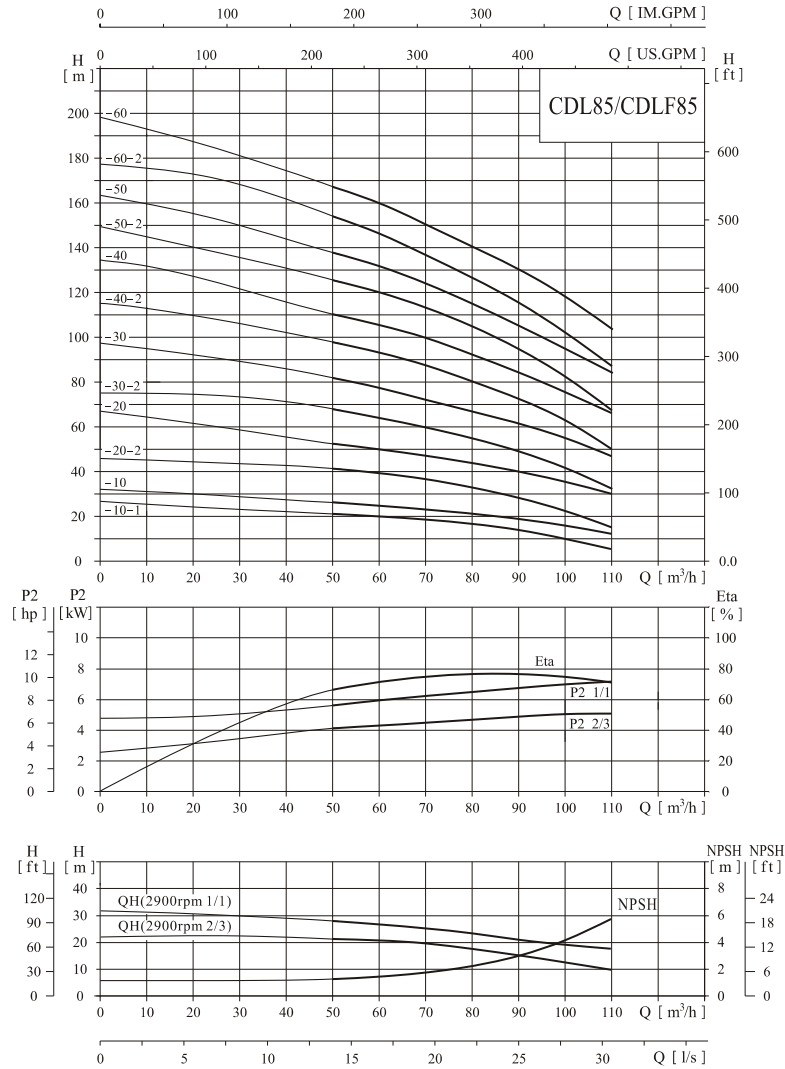


Performance curve

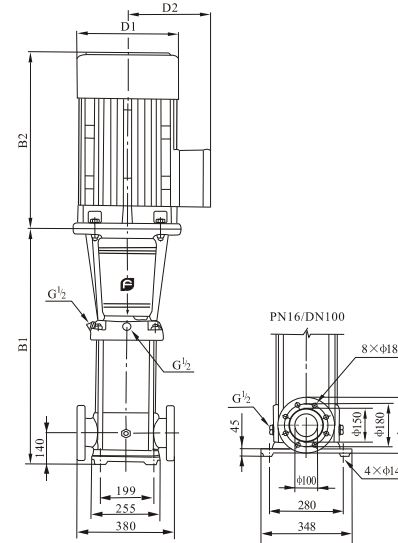
ISO9906 Annex A 2900rpm



Performance table

Model	Driving motor		Q (m³/h)	H (m)																
	(kW)	(hp)		50	60	70	80	85	90	100	110									
CDL85-10-1	5.5	7.5		22	19	17	16	14	13	10	6									
CDL85-10	7.5	10		25	24	22	21	20	19	16	12									
CDL85-20-2	11	15		41	39	36	32	30	28	22	15									
CDL85-20	15	20		53	50	47	44	41	40	36	30									
CDL85-30-2	18.5	25		68	65	60	55	52	49	41	32									
CDL85-30	22	30		81	77	72	67	64	62	55	48									
CDL85-40-2	30	40		98	93	87	80	75	72	62	50									
CDL85-40	30	40		110	105	100	92	86	84	76	66									
CDL85-50-2	37	50		126	120	113	104	98	93	81	68									
CDL85-50	37	50		139	131	124	115	110	106	94	83									
CDL85-60-2	45	60		155	148	139	129	122	117	102	86									
CDL85-60	45	60		168	160	150	141	134	130	117	103									

Installation sketch



Size and weight

Model	Size (mm)					Weight (kg)
	B1	B2	B1+B2	D1	D2	
CDL85-10-1	571	430	1001	260	208	105
CDL85-10	571	430	1001	260	208	110
CDL85-20-2	773	490	1263	330	255	181
CDL85-20	773	490	1263	330	255	192
CDL85-30-2	865	550	1415	330	255	215
CDL85-30	865	590	1455	360	285	252
CDL85-40-2	957	660	1617	400	310	312
CDL85-40	957	660	1617	400	310	312
CDL85-50-2	1049	660	1709	400	310	336
CDL85-50	1049	660	1709	400	310	336
CDL85-60-2	1141	700	1841	460	340	407
CDL85-60	1141	700	1841	460	340	407

The overall dimensions of explosion-proof motor is a little different. Pls contact us for details.
(For CDL85 series, PN25-40/DN100 standard flange is also available if required)