

LIGHT HORIZONTAL MULTI-STAGE CENTRIFUGAL PUMP MANUAL INSTRUCTION



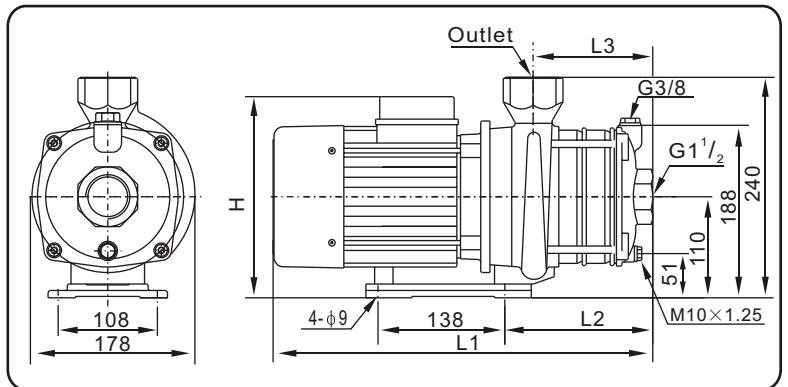
Application

SMP series are mini horizontal centrifugal pump, have a wide application in domestic water supply, industry and constructions.

They are used for:

- Air-conditioning system
- Cooling system
- Industrial cleaning, conveyance and circulation of liquid.
- Water treatment (Water purification)
- Domestic water supply
- Boosting, environment
- Many other special using.

Contour dimension and weight



Working conditions

- Diluted, clean, non-flammable, and non-explosive
- liquid without solid grain or fibers ;
- Liquid temperature :
low temperature: -20°C ~ +15°C;
standard model: +15°C ~ +70°C;
high temperature: +70°C ~ +104°C.;
- Max. environmental temperature: 50°C
- Max. operating pressure: 10 bar
- Max. suction pressure is limited by max. Operating pressure

| Model | Size(mm) | | | | | | | | Outlet |
|------------|--------------|-----|-----|-----|-------------|-----|-----|-----|--------|
| | Single Phase | | | | Three Phase | | | | |
| | L1 | L2 | L3 | H | L1 | L2 | L3 | H | |
| SMP-5-6(T) | 426 | 133 | 138 | 244 | 426 | 133 | 138 | 222 | G1 1/4 |
| SMP-8-3(T) | 500 | 163 | 168 | 230 | 456 | 163 | 168 | 222 | |

Performance table

| Model | | Driving motor P ₂ (kW) | Q (m ³ /h) | 4.0 | 5.0 | 6.0 | 7.0 | 8.0 | 9.0 | 10 |
|--------------|-------------|--------------------------------------|--------------------------|----------|-----|-----|-----|-----|-----|----|
| Single Phase | Three Phase | | | H (m) | | | | | | |
| SMP-5-6 | SMP-5-6T | 1.5 | 43 | 40 | 38 | 34 | 27 | 25 | 20 | |
| SMP-8-3 | SMP-8-3T | | | 2.2 | 56 | 51 | 48 | 44 | 43 | 35 |

Motor

- 2-pole induction motor;
- three-phase: 220/380V/50Hz
- Single-phase: 220~240V/50Hz
- Single-phase with input thermal protector
- Insulation class: F
- Protection: IP55
- Continuous duty