



# DIAPHRAGM EXPANSION TANK

Shyms Water tank are suited for all water system: industrial domestic and agricultural. The tanks are constructed of polypropylene liner combined with high grade butyl diaphragm to isolate water and air. This provides a closed system for drinking water preventing the growth of bacteria and vermin intrusion. The cast stainless steel water connection is used for corrosion resistance. All tanks are quality tested to ensure the structural integrity of every tank.

## Vertical In Line Diaphragm Expansion Tank

Model Number	Tank Volume		Diameter		Height (B)		Length (A)		Box Length		Box Width		Box Height		N.W.		G.W		Shipping Volume
	Liter	Gal	cm	Inch	cm	Inch	cm	inch	cm	Inch	Cm	Inch	cm	inch	Kg	Lbs.	Kg	Lbs.	CUF
SFDTV3	3	0.5	1	0.25	13	5.1	22	8.6	60	23.6	45	17.7	24	9.45	14	30.4	15	31.9	2.29
SFDTV8	8	2	3.5	0.9	20	8	29	11.4	22	8.46	22	8.46	32	12.4	2.3	5.1	2.5	5.5	0.52
SFDTV12	12	3.2	6	1.6	23	9.3	39	15.4	24	9.25	24	9.25	40	15.6	3	6.6	3.2	7.1	0.75
SFDTV18	18	4.5	9.5	2.5	28	11	39	15.4	29	11.2	29	11.2	40	15.6	3.5	7.7	3.7	8.2	1.13
SFDTV24	24	6	12	3	30	11.6	42	16.3	30	11.8	30	11.8	43	16.9	4.2	9.2	4.6	10.1	1.37
SFDTV38	38	10	20	5.2	30	11.6	55	21.7	30	11.8	30	11.8	57	22.4	6	13.2	6.4	14	1.81

## Vertical In Line with Base Diaphragm Expansion Tank

SFDTV58	58	14	43	11.3	38	15	63	24.8	41	16.1	41	16.1	64	25.2	9	19.8	9.7	21.4	3.8
SFDTV80	80	20	50	13	38	15	78	30.7	41	16.1	41	16.1	79	31.1	12	26.8	13	28.6	4.7
SFDTV100	100	28	59	15	38	15	100	39.2	41	16.1	41	16.1	101	39.8	15	33	16	34.1	6
SFDTV130	130	34	86	22.5	56	22	75	29.5	56	22.1	56	22.1	76	29.9	21	45.8	22	48.4	8.42
SFDTV160	160	44	115	30	56	22	92	36	56	22.1	56	22.1	92	36.2	24	53	26	56.1	10.2
SFDTV235	235	62	140	35.2	56	22	116	45.6	56	22.1	56	22.1	118	46.5	35	76.8	37	80.3	13.1
SFDTV305	305	81	167	44	56	22	145	57.2	56	22.1	56	22.1	147	57.9	45	98.6	47	103	16.3

SFDTV3: 12 pcs per unit

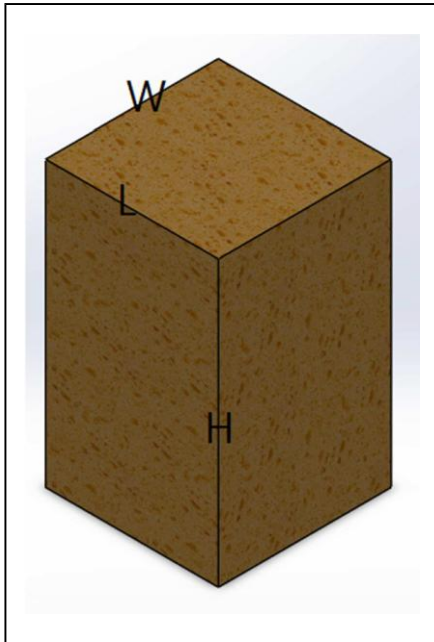
SFDTV38: Base available



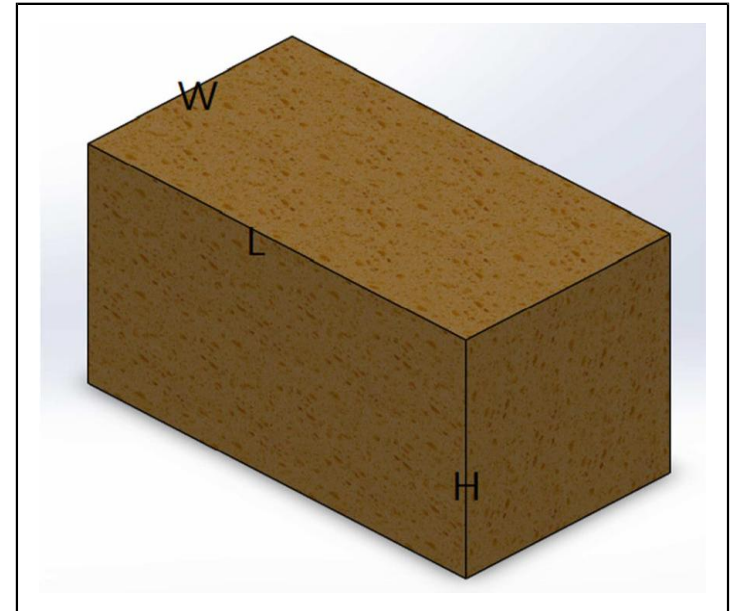
# DIAPHRAGM EXPANSION TANK

## Horizontal In Line with Pump Fixing Bracket Diaphragm Expansion Tank

Model Number	Tank Volume		Diameter		Height		Length		Width		Box Length		Box Width		Box Height		N.W.		G.W.		Shipping Volume
					(A)	(B)	(C.)														
	Liter	Gal	cm	Inch	cm	Inch	cm	inch	cm	inch	cm	inch	Cm	inch	cm	inch	Kg	Lbs.	Kg	Lbs.	CUF
SFDTH18H	18	4.5	28	11	30	12	39	15.4	156	6.1	40	15.6	29	11.4	33	12.8	4.6	10.1	5	11	1.32
SFDTH24H	24	6	30	11.6	32	12.6	42	16.3	162	6.3	43	17	30	12	34	13.4	5.5	12.1	6	13.2	1.55
SFDTH58H	58	14	38	15	43	17	53	22	212	8.3	54	21.3	40	15.7	45	17.3	11	24.2	12	25.7	3.43
SFDTH80H	80	20	38	15	43	17	73	30	212	8.3	74	29.2	40	15.7	45	17.3	14	31.1	15	33	4.7



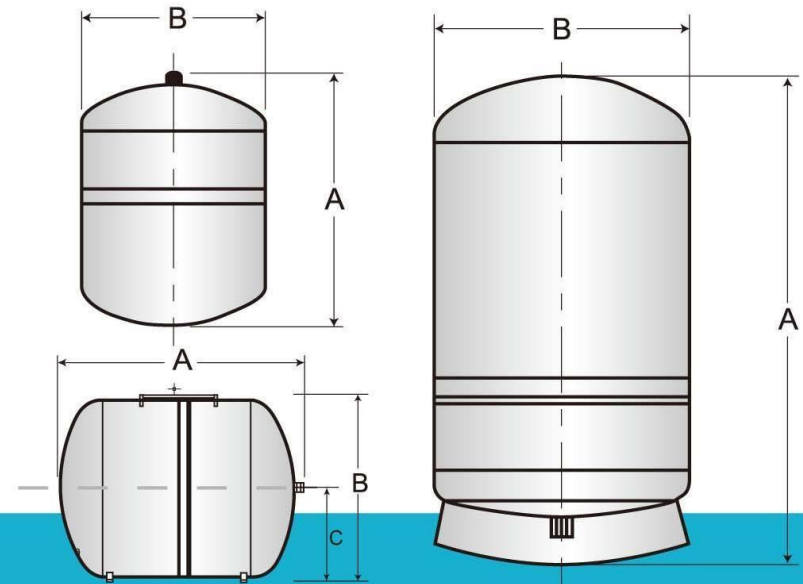
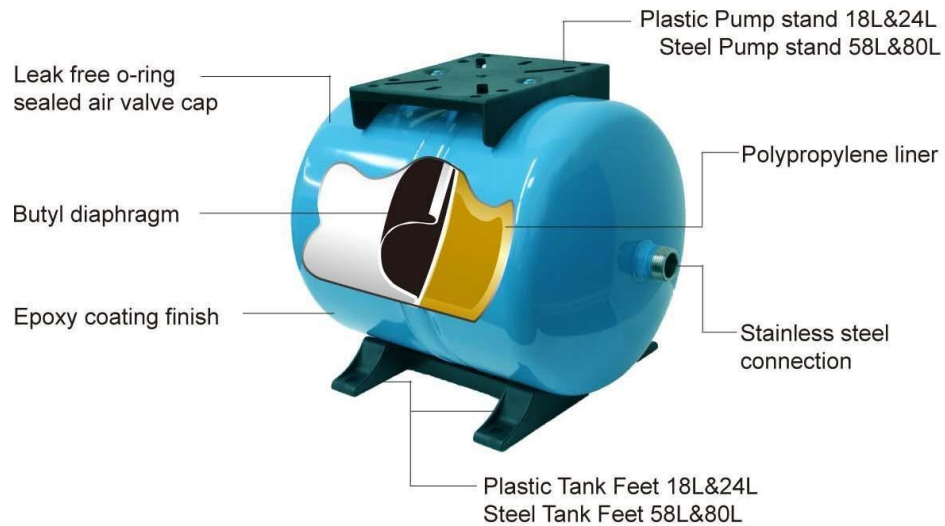
Vertical In Line with Base Diaphragm



Horizontal In Line with Pump Fixing Bracket



# DIAPHRAGM EXPANSION TANK



## Features

- Polypropylene liner ensures long durability
- Butyl diaphragm assure long life and safety
- Highly rust resistance durable baked epoxy coating finish
- Cast stainless steel water connection
- Leak free, o-ring sealed air valve cap
- 100% pressure tested
- No Maintenance

M/s BDS Engineering  
318/4, Govindpuri,  
Opp. Kalkaji Bus Depot,  
New Delhi. Pin code: - 110019  
Telephone: -+911126467250  
Cell: - +919311220263  
E-mal; - info@bdsblairs.com  
Web site: - [www.bdsblairs.com](http://www.bdsblairs.com)