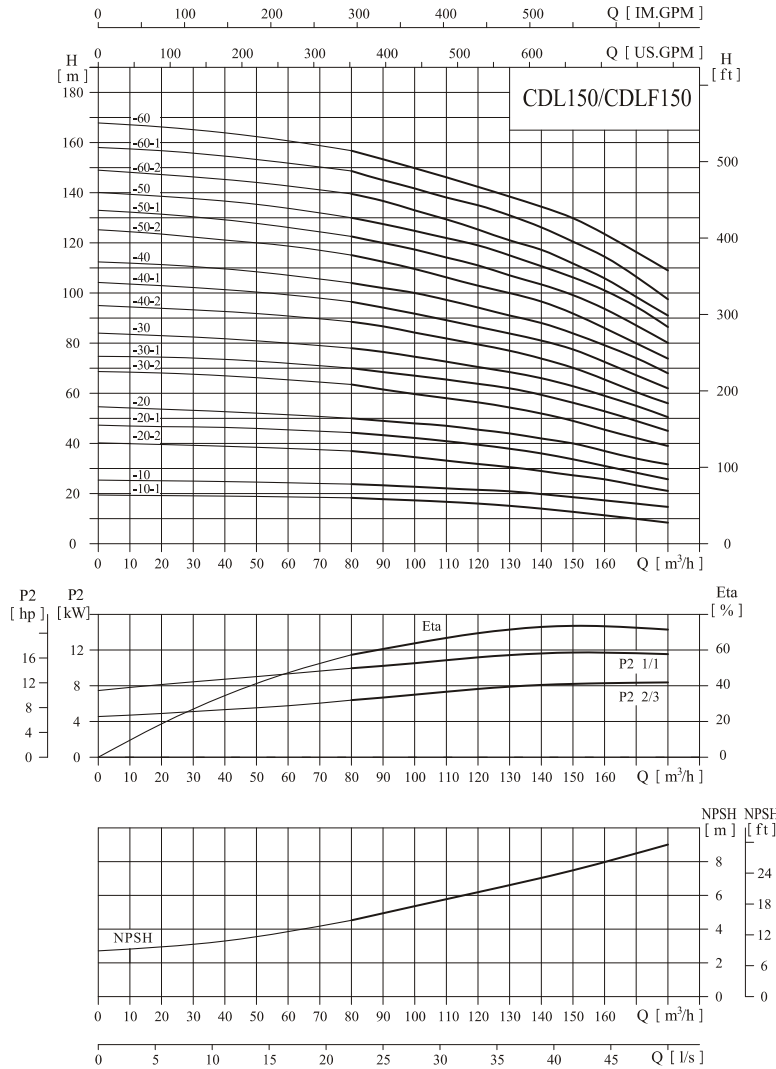


Performance curve

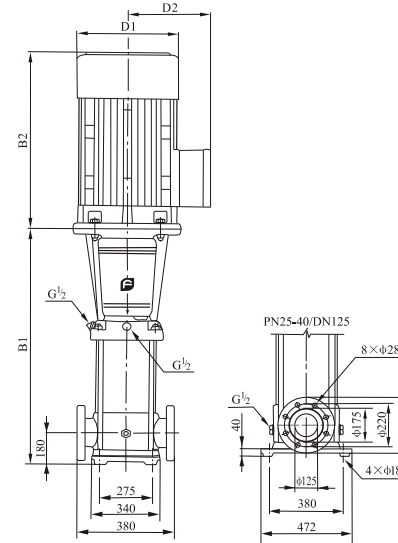
ISO9906 Annex A 2950rpm



Performance table

Model	Driving motor		Q (m³/h)	H (m)										
	(kW)	(hp)		80	90	100	110	120	130	140	150	160	170	180
CDL150-10-1	11	15	18.3	17.8	17.3	17	16	15	14	12.5	11	10	8.5	
CDL150-10	15	20	24	23	22.5	22	21.5	20.5	20	18.5	17	16	15	
CDL150-20-2	18.5	25	37	35.5	34	33	32	31	29	27.5	26	23	21	
CDL150-20-1	22	30	44.3	43	42	40	39	38.5	37.5	35	33	30	27	
CDL150-20	30	40	50	49	48	47	45.5	44	42	40	37	34	32	
CDL150-30-2	30	40	63.5	61	59	57.5	56	54.5	53	49	45.5	42	39	
CDL150-30-1	37	50	70	68	67	65	63	62	60	56	53	49	45	
CDL150-30	37	50	78	76.5	75	73	70.5	68	66	63	59	55	50.5	
CDL150-40-2	45	60	89	87	84	81.5	79	77	74.5	70.5	65.5	60	56	
CDL150-40-1	45	60	96.5	94	91.5	89	86.5	84	81.5	77	72.5	67	62	
CDL150-40	55	75	104	102	100	97	95	91	88	84	79.5	74	68	
CDL150-50-2	55	75	115.5	112	109	106	102.5	100	97	92	86	79	73.5	
CDL150-50-1	75	100	122.5	119.5	117	113.5	111.5	107.5	104.5	99	93.5	87	80	
CDL150-50	75	100	130	127.5	125	121	119	115	111.5	106.5	101	94.5	86.5	
CDL150-60-2	75	100	140	137	133	130	126	121	118	112	106	98	91	
CDL150-60-1	75	100	148.5	145	141.7	137.5	135	131	127	120.5	114.5	106.5	97.5	
CDL150-60	75	100	157	153	149	145	142	139.5	137	130	123.5	116	109	

Installation sketch



Size and weight

Model	Size (mm)					Weight (kg)
	B1	B2	B1+B2	D1	D2	
CDL150-10-1	840	490	1330	330	255	230
CDL150-10	840	490	1330	330	255	235
CDL150-20-2	1000	550	1550	330	255	250
CDL150-20-1	1000	590	1590	360	285	295
CDL150-20	1000	660	1660	400	310	350
CDL150-30-2	1160	660	1820	400	310	360
CDL150-30-1	1160	660	1820	400	310	360
CDL150-30	1160	660	1820	400	310	385
CDL150-40-2	1320	700	2020	460	340	460
CDL150-40-1	1320	700	2020	460	340	460
CDL150-40	1350	770	2120	540	370	560
CDL150-50-2	1510	770	2280	540	370	570
CDL150-50-1	1510	845	2355	580	410	690
CDL150-50	1510	845	2355	580	410	690
CDL150-60-2	1670	845	2515	580	410	700
CDL150-60-1	1670	845	2515	580	410	700
CDL150-60	1670	845	2515	580	410	700

The overall dimensions of explosion-proof motor is a little different. Pls contact us for details.